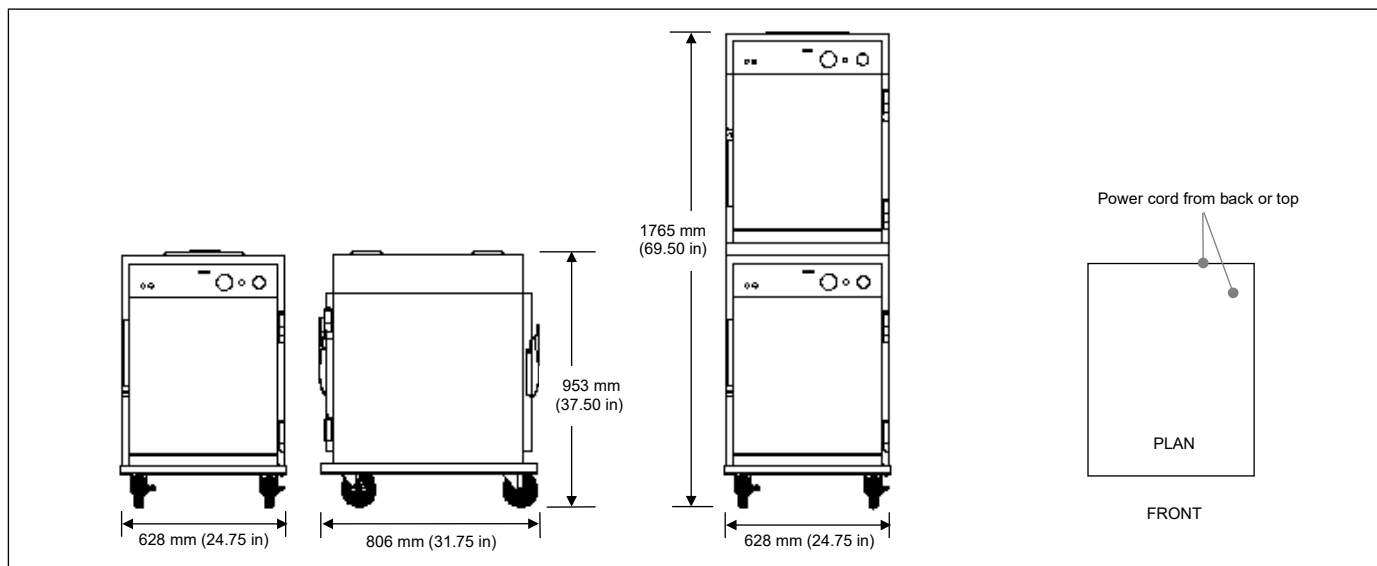


PROJECT

ITEM NO

Heated holding cabinet

HC 5 Half size
SHC 10 Stacked



	HC 5	SHC 10 Stacked
Dimensions		
Height	953 mm (37.50 in)	1765 mm (69.50 in)
Width	628 mm (24.75 in)	628 mm (24.75 in)
Depth	806 mm (31.75 in)	806 mm (31.75 in)
Crated		
Length	1000 mm (40 in)	1900 mm (75 in)
Depth	900 mm (36 in)	900 mm (36 in)
Height	790 mm (31 in)	880 mm (35 in)
Volume	0.7 m ³ (25 ft ³)	1.6 m ³ (53 ft ³)
Weight	93 kg (206 lb)	190 kg (418 lb)
Capacity	Full size sheet pans 457 x 660 mm (18 x 26 in) 5 shelf runners	10 shelf runners

Required clearances N/A

Heat

Thermostat 71°–99°C (160°–210°F)

Humidity

Optional water pan 3.8 L (1.0 gal)

Bidding specifications

Provide Henny Penny heated holding cabinet model HC 5 half-size or SHC 10 stacked designed to hold hot foods in quality condition at safe temperatures for long periods of time. When two HC 5 units are ordered stacked to form the SHC 10, each cabinet must be configured alike.

Each unit shall incorporate:

- 5 countdown timer control or electro-mechanical controls
- Shelf runners for 5 full-size sheet pans
- Stainless steel construction throughout
- Full cabinet circulation with dual heavy-duty blower motors and ventilated side racks
- Perimeter door gasket, fully insulated sidewalls and control module
- 4 heavy-duty casters, 2 locking

Electrical

Volts	Phase	Hertz	kW	Amps	Wire*	Cord & Plug
						Not available for all destinations
						Please contact Henny Penny
CDT control						
240	1	50–60	1.59	6.6	2+G	
Electro-mechanical control						
240	1	50–60	1.61	6.7	2+G	

Laboratory certifications



*Units shipped without power cord and plug must have power cord and plug installed on site by a qualified electrician.

Continuing product improvement may subject specifications to change without notice.

Henny Penny Suzhou Corporation
No. 9 Hengpu Lane, Qingqiu Avenue
SIP, Suzhou, China (215126)
+86 512 89180268
+86 512 89180270 Fax
www.hennypenny.com

HENNY PENNY
Engineered to Last